

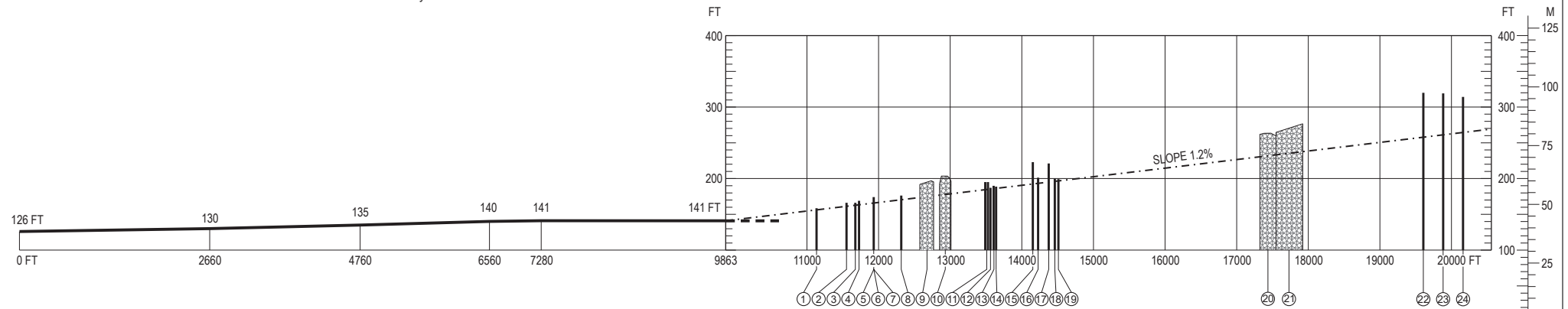
ELEV in FT
Distance in FT
Magnetic Variation 3.7° (JAN 2023)
Order of accuracy: Horizontally 1 FT, Vertically 1 FT

AERODROME OBSTACLE CHART - ICAO TYPE A (OPERATING LIMITATIONS)

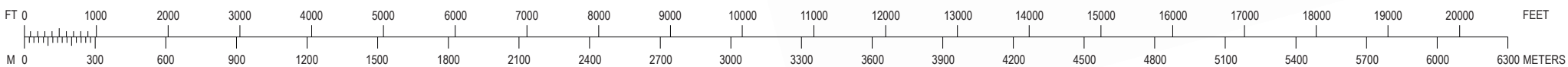
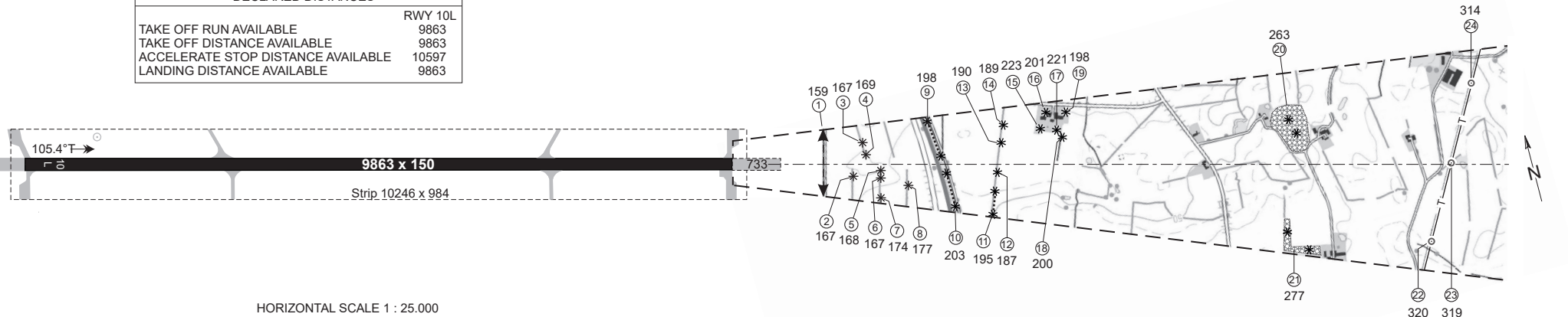
SKRYDSTRUP, Denmark RWY 10L

LEGEND		AMENDMENT RECORD		
Identification number	⑮	No.	Date	Entered by
Tree or Shrub	*			
Line of trees	*.....*			
Group of trees / wooded hill	⊛			
Pole, tower, spire, antenna etc.	○			
Mobile obstacle	←-----→			
Transmission line or overhead cable	—T—			

Date of survey: 12/2017



DECLARED DISTANCES	
TAKE OFF RUN AVAILABLE	RWY 10L 9863
TAKE OFF DISTANCE AVAILABLE	9863
ACCELERATE STOP DISTANCE AVAILABLE	10597
LANDING DISTANCE AVAILABLE	9863



CHANGES-EDITORIAL- MAG. VAR.